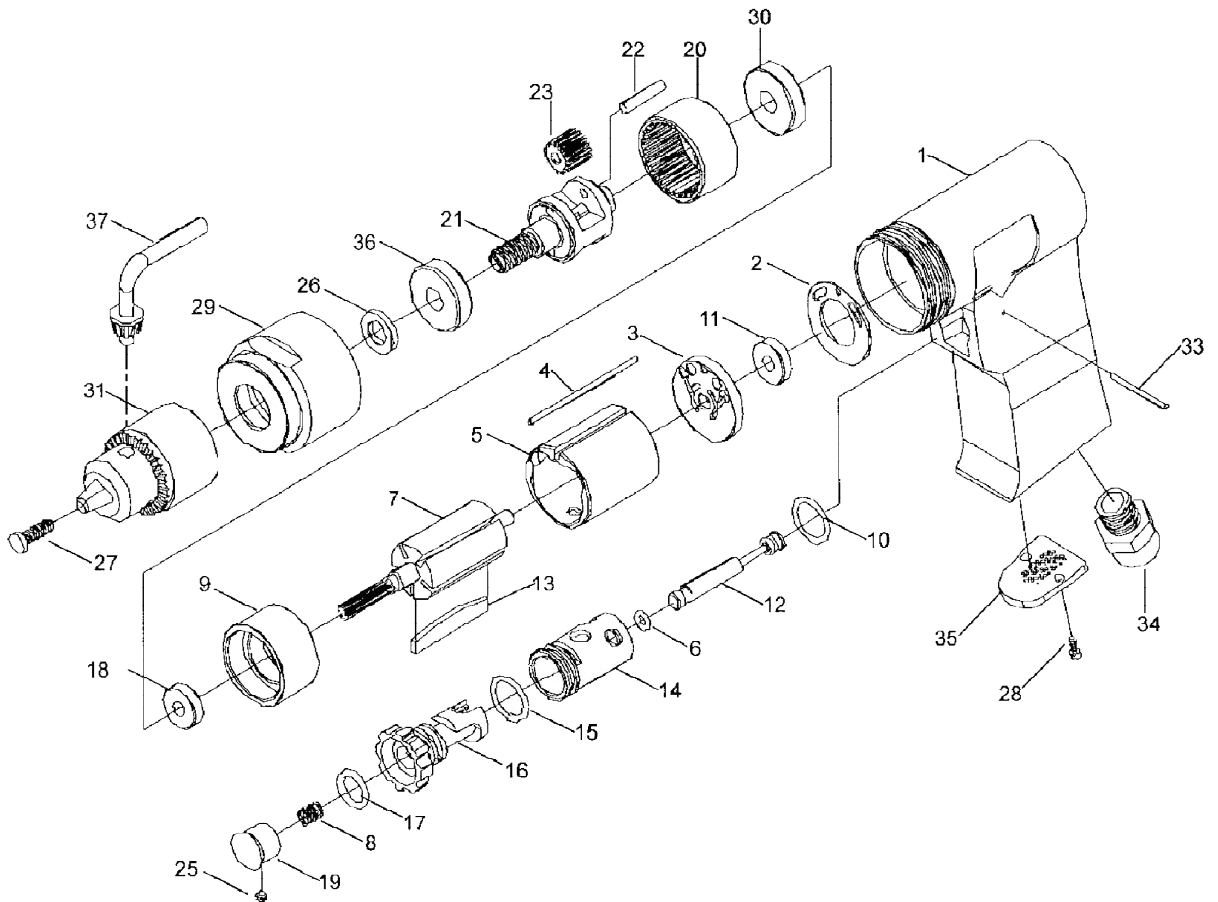


# **Model No. A14-L7602**

## **3/8" H/D Reversible Air Drill**



Part No.	Description	Q'ty	Part No.	Description	Q'ty
1	Housing Motor	1	19	Trigger	1
2	Motor Gasket	1	20	Internal Gear	1
3	Rear End Plate	1	21	Planet Link Spindle	1
4	Cylinder Pin	1	22	Pin	2
5	Cylinder	1	23	Gear	2
6	O-ring	1	25	Set Screw	1
7	Rotor	1	26	Washer	1
8	Spring	1	27	Chuck Screw	1
9	Front End Plate	1	28	Screw	2
10	O-ring	1	29	Clamp Nut	1
11	Ball Bearing	1	30	Ball Bearing	1
12	Valve Stem	1	31	Drill Chuck (3/8")	1
13	Rotor Blades	5	33	Pin	1
14	Reverse Bushing	1	34	Air Strainer Assembly	1
15	O-ring	1	35	Exhaust Diffuser	1
16	Reverse Valve	1	36	Ball Bearing	1
17	O-ring	1	37	Chuck Key	1
18	Ball Bearing	1			